

# Installation Guide for USEN Music Delivery Tuner

**STEP 1**  
~What items are in the Box?~

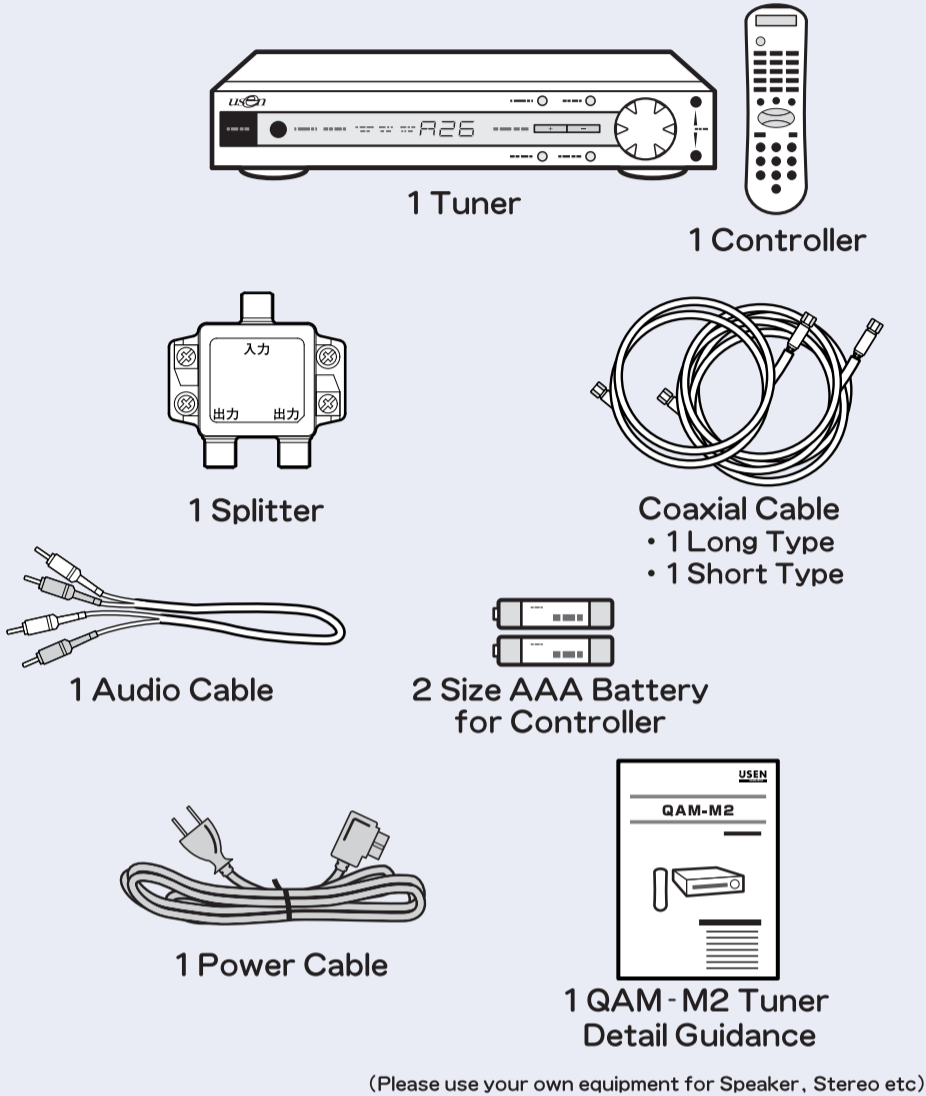
**STEP 2** ~How to connect?~  
1. Connection of Coaxial Cable  
■ Pattern 1 ■ Pattern 2 ■ Pattern 3  
~Please select a connection pattern according to your circumstances~  
2. Connection of Audio Cable

**STEP 3** ~How to get the Power?~  
1. Connection to the Electric Plug  
2. Checking the monitor panel

**STEP 4** ~How to initialize?~  
1. Initializing Mode  
2. Tuning the correct Frequency

**STEP 5** ~How to get the Music?~  
1. Display setting to initial  
2. Tuning channels

## STEP 1 ~What items are in the Box?~



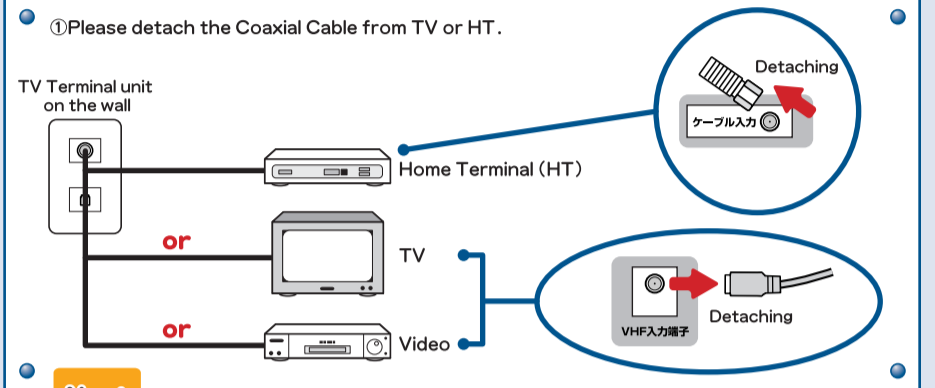
## STEP 2 ~How to Connect?~

### 1. Connection of Coaxial Cable

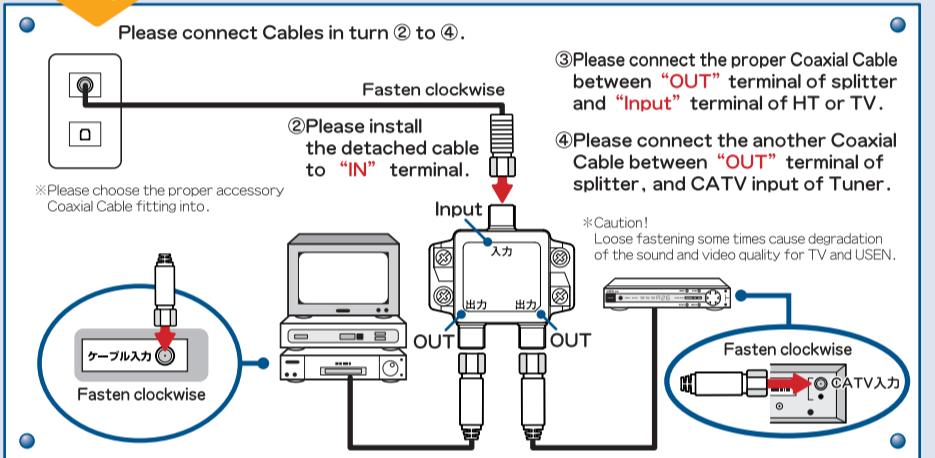
**Pattern #1** In case of installation to the room where set up the TV or Home Terminal (HT).

Attention: Be Powered off in case of cable connection.

Please step ahead to "2 Connection of Audio Cable" after complete these connections.



Next Step



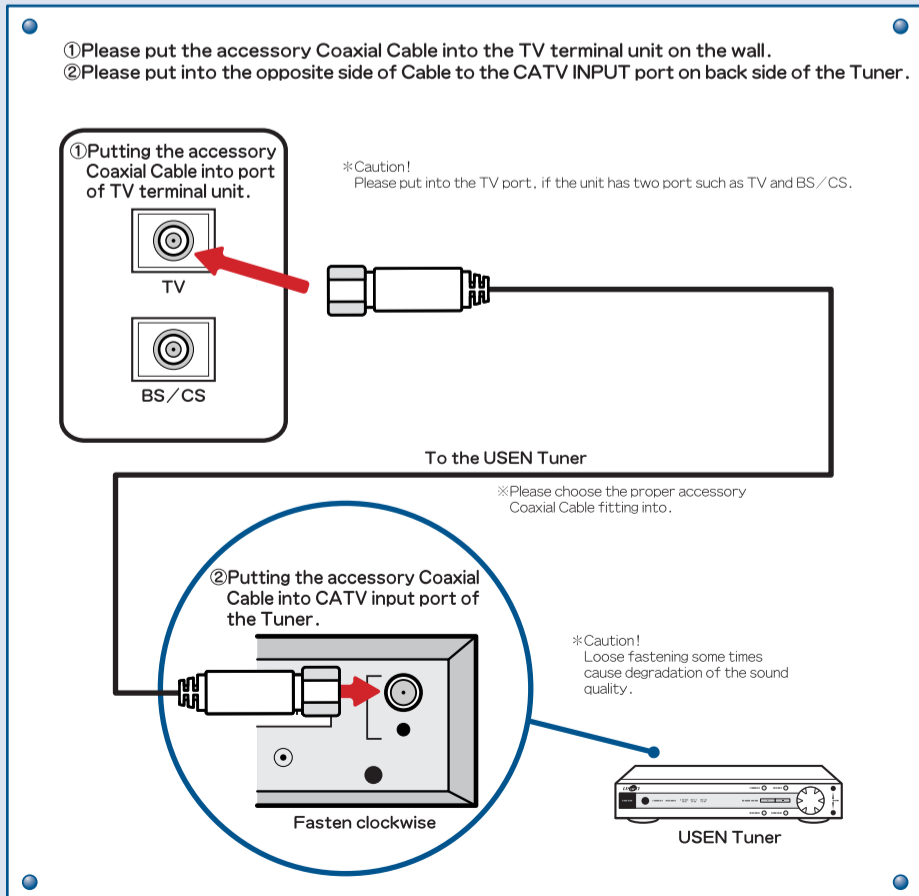
## STEP 2 ~How to Connect? (Cont.)~

### 1. Connection of Coaxial Cable

**Pattern #2** In case of installation to the room mounted the double port TV terminal unit shows below, except pattern #1.

Please step ahead to "2 Connection of Audio Cable" after complete these connections.

Attention: Be Powered off in case of cable connection.



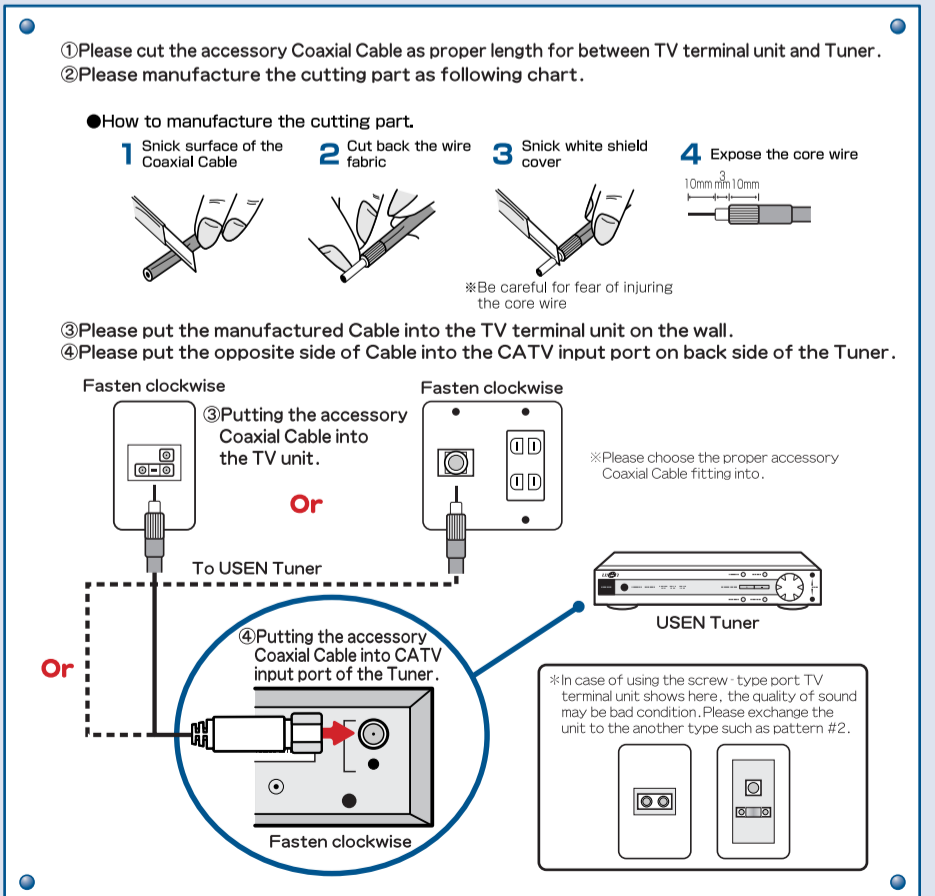
## STEP 2 ~How to Connect? (Cont.)~

### 1. Connection of Coaxial Cable

**Pattern #3** In case of installation to the room mounted the screw-type port TV terminal unit shows below, except pattern #1.

Please step ahead to "2 Connection of Audio Cable" after complete these connections.

Attention: Be Powered off in case of cable connection.



continue